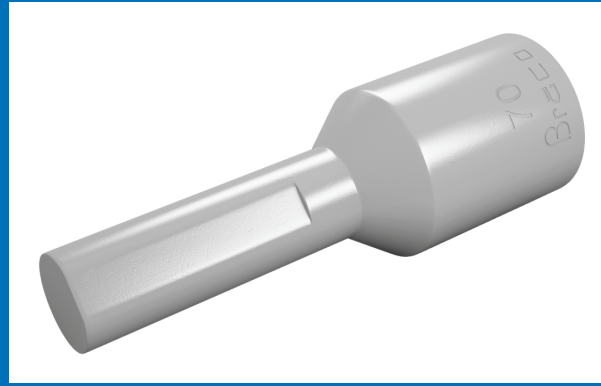


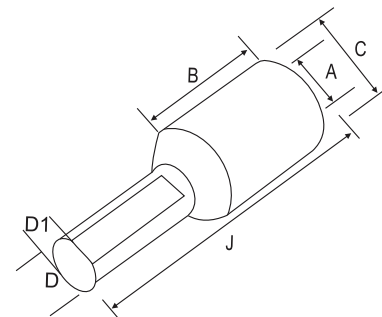
Braco Aluminium Reducer Terminals are manufactured out of aluminium of purity equal to or greater than 99.5 % having maximum conductivity not less than 60% IACS. These are used to terminate one or more Aluminium conductors to a smaller termination area. Braco is able to produce any Aluminium Reducing Link that you may require.



ALUMINIUM CRIMPING REDUCER TERMINALS FOR ALUMINIUM CONDUCTOR

Material : Aluminium IS :5082 :1981

| Size Sq. mm | Dimensions | | | | | | Code No. |
|----------------|------------|------|------|------|----|----|----------|
| | A | C | D | D-1 | B | J | |
| 2.5 | 2.6 | 5.5 | 4.5 | 4.0 | 7 | 21 | WPA - 1 |
| | 2.6 | 5.5 | 3.5 | 3.3 | 7 | 21 | WPA - 7 |
| 4 | 2.9 | 5.5 | 4.5 | 4.0 | 7 | 21 | WPA - 15 |
| | 2.9 | 5.5 | 3.8 | 3.3 | 7 | 21 | WPA - 16 |
| 6 | 3.5 | 5.5 | 4.5 | 4.0 | 7 | 21 | WPA - 17 |
| | 3.5 | 5.5 | 3.8 | 3.3 | 7 | 21 | WPA - 18 |
| 10 | 3.8 | 7.4 | 4.5 | 4.0 | 9 | 23 | WPA - 19 |
| | 3.8 | 7.4 | 3.8 | 3.3 | 9 | 23 | WPA - 20 |
| | 4.4 | 7.4 | 4.5 | 4.0 | 9 | 23 | WPA - 21 |
| | 4.4 | 7.4 | 3.8 | 3.3 | 9 | 23 | WPA - 22 |
| 16 | 5.4 | 8.3 | 6.0 | 5.5 | 13 | 33 | WPA - 23 |
| | 5.4 | 8.3 | 6.0 | 5.5 | 13 | 38 | WPA - 24 |
| | 5.4 | 8.3 | 3.8 | 3.3 | 13 | 31 | WPA - 2 |
| 25 | 7.0 | 10.0 | 6.0 | 5.5 | 16 | 36 | WPA - 25 |
| | 7.0 | 10.0 | 7.5 | 6.5 | 16 | 41 | WPA - 3 |
| 35 | 8.0 | 10.8 | 7.5 | 6.5 | 18 | 43 | WPA - 4 |
| 50 | 9.3 | 13.0 | 7.5 | 6.5 | 22 | 47 | WPA - 26 |
| | 10.4 | 14.0 | 14.0 | 13.0 | 22 | 53 | WPA - 5 |
| 70 | 11.6 | 16.0 | 7.5 | 6.5 | 26 | 51 | WPA - 27 |
| | 11.6 | 16.0 | 11.5 | 10.5 | 26 | 56 | WPA - 6 |
| | 11.6 | 16.0 | 11.5 | 10.5 | 26 | 63 | WPA - 28 |



ALUMINIUM CRIMPING REDUCER TERMINALS FOR ALUMINIUM CONDUCTOR

| Size Sq. mm | Dimensions | | | | | | Code No. |
|----------------|------------|------|------|------|----|----|----------|
| | A | C | D | D-1 | B | J | |
| 95 | 12.9 | 17.1 | 11.5 | 10.5 | 28 | 59 | WPA - 29 |
| | 12.9 | 17.1 | 15.6 | 14.0 | 28 | 61 | WPA - 8 |
| | 12.9 | 17.1 | 7.5 | 6.5 | 28 | 56 | WPA - 31 |
| | 12.9 | 17.1 | 12.8 | 11.8 | 28 | 66 | WPA - 32 |
| 120 | 14.8 | 19.6 | 11.5 | 10.5 | 32 | 63 | WPA - 33 |
| | 14.8 | 19.6 | 7.5 | 6.5 | 32 | 60 | WPA - 34 |
| | 14.8 | 19.6 | 11.5 | 10.5 | 32 | 70 | WPA - 35 |
| | 14.8 | 19.6 | 15.6 | 14.0 | 32 | 70 | WPA - 36 |
| 150 | 16.1 | 21.2 | 15.6 | 14.0 | 34 | 72 | WPA - 10 |
| | 16.1 | 21.2 | 11.5 | 10.5 | 34 | 72 | WPA - 37 |
| 185 | 18.0 | 23.7 | 15.6 | 14.0 | 36 | 74 | WPA - 30 |
| | 18.0 | 23.7 | 11.5 | 10.5 | 36 | 74 | WPA - 38 |
| | 20.6 | 27.0 | 15.6 | 14.0 | 40 | 80 | WPA - 39 |
| | 20.6 | 27.0 | 21.0 | 18.0 | 40 | 90 | WPA - 46 |
| | 20.6 | 27.0 | 16.0 | 15.0 | 40 | 90 | WPA - 42 |
| 240 | 22.0 | 28.0 | 16.0 | 15.0 | 44 | 94 | WPA - 44 |
| | 22.0 | 28.0 | 15.6 | 14.0 | 44 | 84 | WPA - 43 |
| 300 | 24.0 | 31.0 | 16.0 | 15.0 | 47 | 94 | WPA - 45 |
| | 24.0 | 31.0 | 15.6 | 14.0 | 47 | 84 | WPA - 47 |

