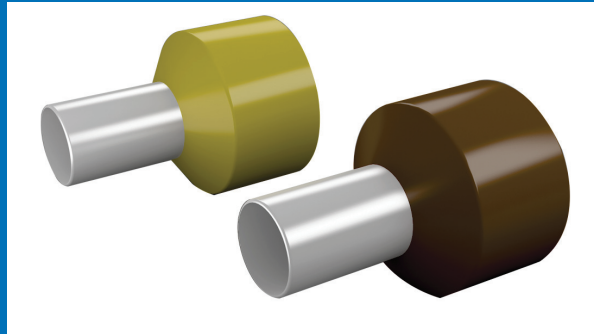


Braco End Sealing Insulated Ferrules are manufactured from electrolytic copper. These ferrules have dimensions according to DIN 46228 and are used when a perfect connection is needed at the end of a cable. Some cables, especially those with small diameters, may conduct badly in electrical connections without an End Sealing Ferrule. By using these ferrules strands deviation can be avoided and the risk of cable breakage can be reduced. Also these ferrules create a long lasting contact pressure and a large contact surface. Tinning is provided to give better finish, to avoid oxidation and to achieve maximum corrosion protection.



The Insulation Sleeve is manufactured from PP (Polypropylene). We also offer end terminals with insulation colours according to the most common colour system in the market. The colour of the insulation sleeves characterises the Cross section area of the conductor

COPPER CRIMPING END SEALING INSULATED FERRULES

Material Copper BS: 1977

Finish: Electro Tinned

Size Sq. mm	Dimensions			J-1	Code No.
	A	C	J		
0.5	1	1.4	8	12	ESI-0.5-8
0.75	1.4	1.8	8	12	ESI-0.75-8
1	1.6	2	8	12	ESI-1-8
	1.6	2	10	16	ESI-1-10
1.5	1.8	2.2	8	14	ESI-1.5-8
	1.8	2.2	10	16	ESI-1.5-10
	1.8	2.2	12	18	ESI-1.5-12
2.5	2.3	2.7	8	14	ESI-2.5-8
	2.3	2.7	10	16	ESI-2.5-10
	2.3	2.7	12	18	ESI-2.5-12
4	2.8	3.2	8	16	ESI-4-8
	2.8	3.2	10	18	ESI-4-10
	2.8	3.2	12	20	ESI-4-12
6	3.7	4.1	10	18	ESI-6-10
	3.7	4.1	12	20	ESI-6-12
	3.7	4.1	16	24	ESI-6-16
10	4.6	5	12	22	ESI-10-12
	4.6	5	16	26	ESI-10-16
16	5.9	6.3	12	22	ESI-16-12
	5.9	6.3	16	26	ESI-16-16
25	7.5	7.9	16	29	ESI-25-16
35	8	8.7	16	29	ESI-35-16
50	9.7	10.3	20	36	ESI-50-20

