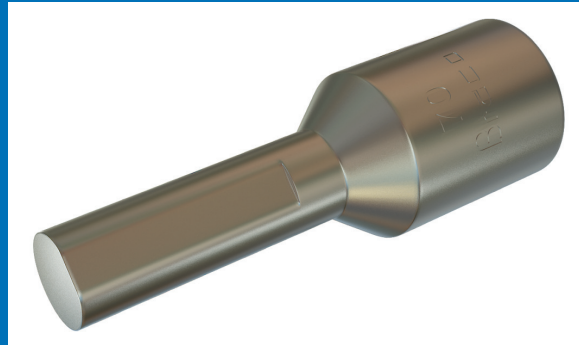


Braco Copper Crimping Reducer Terminals are used to terminate one or more Aluminium conductors to a smaller termination area. These type of terminals are applicable in tunnel type terminal blocks viz. fuse gears, cut-outs, meters etc. Braco is able to produce any Copper Reducing Link that you may require. The presence of copper at termination end ensures high current carrying capacity at smaller surface area. Tinning avoids oxidation and provides maximum corrosion protection.

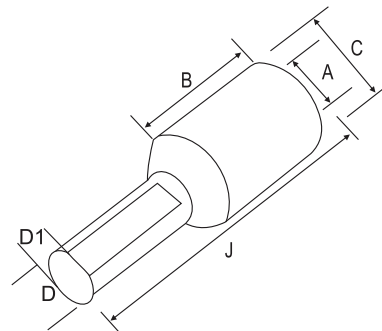


COPPER CRIMPING REDUCER TERMINALS FOR ALUMINIUM CONDUCTOR

Material : Copper BS 1977

Finish : Electro Tinned

Size Sq. mm	Dimensions						Code No.
	A	C	D	D-1	B	J	
2.5	2.5	4.7	4.5	4.0	6	20	WPC - 1
	2.5	4.7	3.8	3.3	6	20	WPC - 7
4	2.8	4.7	4.5	4.0	6	20	WPC - 15
	2.8	4.7	3.8	3.3	6	20	WPC - 16
6	3.1	4.7	4.5	4.0	6	20	WPC - 17
	3.1	4.7	3.8	3.3	6	20	WPC - 18
10	3.8	5.5	4.5	4.0	9	23	WPC - 19
	3.8	5.5	3.8	3.3	9	23	WPC - 20
	4.4	6.2	4.5	4.0	9	23	WPC - 21
	4.4	6.2	3.8	3.3	9	23	WPC - 22
16	5.3	7.1	6.0	5.5	12	32	WPC - 23
	5.3	7.1	6.0	5.5	12	37	WPC - 24
	5.3	7.1	3.8	3.3	12	30	WPC - 2
25	7.0	9.0	6.0	5.5	12	32	WPC - 25
	7.0	9.0	7.5	6.5	12	37	WPC - 3
35	8.0	10.0	7.5	6.5	12	37	WPC - 4
50	9.2	11.2	7.5	6.5	16	41	WPC - 26
	10.4	14.0	14.0	13.0	18	49	WPC - 5



COPPER CRIMPING REDUCER TERMINALS FOR ALUMINIUM CONDUCTOR

Size Sq. mm	Dimensions						Code No.
	A	C	D	D-1	B	J	
70	11.5	13.8	7.5	6.5	18	43	WPC - 27
	11.5	13.8	11.5	10.5	18	48	WPC - 6
	11.5	13.8	11.5	10.5	18	55	WPC - 28
95	12.8	15.6	11.5	10.5	20	51	WPC - 29
	12.8	15.6	7.5	6.5	20	48	WPC - 31
	12.8	15.6	12.8	11.8	20	58	WPC - 32
120	14.8	17.8	7.5	6.5	22	50	WPC - 34
	14.8	17.8	11.5	10.5	22	60	WPC - 35
150	16.0	19.6	15.6	14.0	26	64	WPC - 10
	16.0	19.6	11.5	10.5	26	64	WPC - 37
185	18.0	22.0	15.6	14.0	32	70	WPC - 30
	18.0	22.0	11.5	10.5	32	70	WPC - 38
225	20.0	26.0	15.6	14.0	38	78	WPC - 39
240	22.0	26.0	16.0	15.0	38	88	WPC - 44
	22.0	26.0	16.0	14.0	38	78	WPC - 43
300	24.0	28.7	16.0	15.0	42	92	WPC - 45
	24.0	28.7	16.0	14.0	42	82	WPC - 47
400	27.0	33.2	16.0	14.0	46	90	WPC - 101

