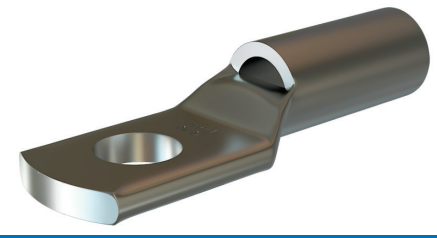


Braco Copper tube crimping terminals are manufactured from electrolytic copper tube. The dimensions of the tube are designed to obtain the most efficient electrical conductivity and mechanical strength to resist vibration and pull out. These are used for terminating any size of cables to terminating electrical switching equipments, where vibration is critical.



Terminals are annealed to guarantee optimum ductility which is an absolute necessity for connectors which will have to withstand the severe deformation arising when compressed and any bending of the palm during installation. In application subject to vibration, terminals still have to perform a reliable connection, annealing plays a vital role in avoiding cracking or breaks between the barrel and the palm.

The presence of inspection hole facilitates full insertion of conductor while the barrel length has been designed to allow easy and accurate position dies during the crimping operation.

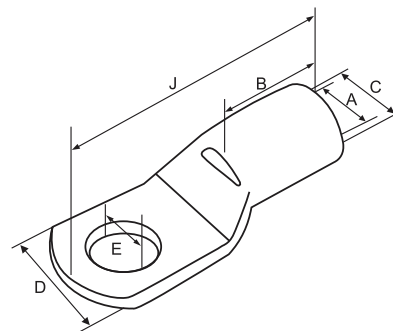
Tin plating on the terminals avoids oxidation and achieves maximum corrosion protection.

## COPPER CRIMPING TERMINALS WITH INSPECTION HOLE FOR COPPER CONDUCTOR (HEAVY DUTY)

**Material Copper BS :1977**

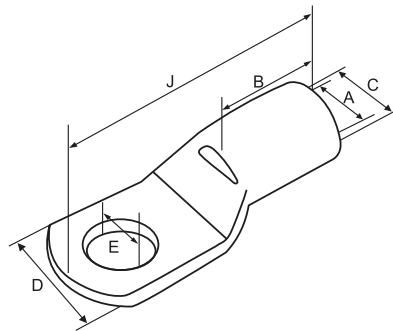
**Finish : Electro Tinned**

Size Sq. mm	Dimensions						Code No.
	E	A	C	D	B	J	
1.5	4.2	1.8	3.7	8	5	16	1.5-4 CT-711
	5.2	1.8	3.7	8	5	16	1.5-5 CT-538
	6.4	1.8	3.7	9	5	18	1.5-6 CT-539
	8.4	1.8	3.7	12	5	22	1.5-8
2.5	4.2	2.4	4	8	7	18	2.5-4 CT-388
	5.2	2.4	4	9	7	20	2.5-5 CT-540
	6.5	2.4	4	10	7	20	2.5-6 CT-541
	8.4	2.4	4	11.5	7	26	2.5-8 CT-762
4	4.2	3.1	4.8	8	7	20	4-4 CT-764
	5.2	3.1	4.8	9	7	20	4-5 CT-389
	6.5	3.1	4.8	10	7	20	4-6 CT-543
	8.4	3.1	4.8	11.5	7	25	4-8 CT-763
6	4.2	3.8	5.5	9	9	23	6-4
	5.2	3.8	5.5	10	9	23	6-5 CT-390
	6.5	3.8	5.5	12	9	26	6-6 CT-544
	8.4	3.8	5.5	12	9	26	6-8 CT-545
	10.5	3.8	5.5	15	9	32	6-10 CT-854
10	5.2	4.5	6.2	10	9	26	10-5 CT-822
	6.5	4.5	6.2	11	9	26	10-6 CT-353
	8.4	4.5	6.2	12	9	26	10-8 CT-547
	10.5	4.7	7.1	14	10	32	10-10 CT-855
	12.7	4.7	7.1	17	10	33	10-12 CT-856



### COPPER CRIMPING TERMINALS WITH INSPECTION HOLE FOR COPPER CONDUCTOR (HEAVY DUTY)

Size Sq. mm	Dimensions						Code No.
	E	A	C	D	B	J	
16	5.2	5.4	7.1	10	12	30	16-5 CT-696
	6.4	5.4	7.1	11	12	30	16-6 CT-354
	8.4	5.4	7.1	12	12	31	16-8 CT-549
	10.5	5.5	7.9	14.5	13	35	16-10 CT-657
	12.7	5.5	7.9	17	13	40	16-12 CT-858
	16.5	5.5	7.9	22	13	40	16-16
25	6.4	6.8	8.8	13	12	32	25-6 CT-355
	8.4	6.8	8.8	13	12	32	25-8 CT-551
	10.5	6.8	8.8	16	12	38	25-10 CT-552
	12.7	6.8	8.8	16.5	12	40	25-12 CT-765
	16.5	6.8	8.8	24	13	45	25-16
35	6.5	8.2	10.6	15.3	12	35	35-6 CT-542
	8.4	8.2	10.6	15.3	12	35	35-8 CT-356
	10.5	8.2	10.6	16	12	38	35-10 CT-554
	12.7	8.2	10.6	17	15	42	35-12 CT-853
	16.5	8.2	10.6	24	14	50	35-16
50	6.5	9.5	12.4	18	16	43	50-6 CT-746
	8.4	9.5	12.4	18	16	43	50-8 CT-357
	10.5	9.5	12.4	18	16	43	50-10 CT-556
	12.7	9.5	12.4	18	16	43	50-12 CT-698
	15	9.5	12.4	20	17	49	50-14
	17	9.5	12.4	24	18	54	50-16 CT-699
	21	9.5	12.4	30	18	54	50-20
70	6.4	11.2	14.7	21	18	50	70-6 CT-748
	8.4	11.2	14.7	21	18	50	70-8 CT-557
	10.5	11.2	14.7	21	18	50	70-10 CT-358
	13	11.2	14.7	21	18	50	70-12 CT-559
	15	11.2	14.7	25	20	55	70-14 CT-795
	17	11.2	14.7	25	20	55	70-16 CT-780
	21	11.2	14.7	26	20	55	70-20 CT-781



### COPPER CRIMPING TERMINALS WITH INSPECTION HOLE FOR COPPER CONDUCTOR (HEAVY DUTY)

Size Sq. mm	Dimensions						Code No.	Size Sq. mm	Dimensions						Code No.
	E	A	C	D	B	J			E	A	C	D	B	J	
95	6.4	13.5	17.4	25	20	55	95-6	240	8.5	21	26.5	38	38	92	240-8
	8.4	13.5	17.4	25	20	55	95-8 CT-752		10.5	21	26.5	38	38	92	240-10 CT-787
	10.5	13.5	17.4	25	20	55	95-10 CT-359		12.7	21	26.5	38	38	92	240-12 CT-705
	13	13.5	17.4	25	20	55	95-12 CT-561		15	21	26.5	38	38	92	240-14 CT-801
	15	13.5	17.4	26	20	55	95-14 CT-796		17	21	26.5	38	38	92	240-16 CT-244
	17	13.5	17.4	26	22	60	95-16 CT-672		21	21	26.5	38	38	92	240-20 CT-567
	21	13.5	17.4	28	22	64	95-20 CT-673								
120	6.4	15	19.4	28	22	64	120-6	300	10.5	23.5	30	43	42	101	300-10 CT-568
	8.5	15	19.4	28	22	64	120-8 CT-782		12.7	23.5	30	43	42	101	300-12 CT-597
	10.5	15	19.4	28	22	64	120-10 CT-700		15	23.5	30	43	42	101	300-14 CT-802
	12.7	15	19.4	28	22	64	120-12 CT-241		17	23.5	30	43	42	101	300-16 CT-245
	15	15	19.4	28	22	64	120-14 CT-797	21	23.5	30	43	42	101	300-20 CT-569	
	17	15	19.4	28	22	64	120-16 CT-546	400	10.5	26.8	34.8	50	44	114	400-10
	21	15	19.4	28	22	64	120-20 CT-798		13	26.8	34.8	50	44	114	400-12
							15		26.8	34.8	50	44	114	400-14	
150	8.4	16.5	21.2	30	26	69	150-8 CT-783	17	26.8	34.8	50	44	114	400-16 CT-246	
	10.5	16.5	21.2	30	26	69	150-10 CT-676	21	26.8	34.8	50	44	114	400-20 CT-571	
	12.7	16.5	21.2	30	26	69	150-12 CT-242	500	13	30	39	56	48	124	500-12
	15	16.5	21.2	30	26	69	150-14 CT-799		17	30	39	56	48	124	500-16 CT-596
	17	16.5	21.2	30	26	69	150-16 CT-564		21	30	39	56	48	124	500-20 CT-247
	21	16.5	21.2	30	26	69	150-20 CT-565	630	-	35	45	65	56	144	630BL CT-761
	185	8.5	18.5	23.5	34	32	78		185-8	17	35	45	65	56	144
10.5		18.5	23.5	34	32	78	185-10 CT-652		21	35	45	65	56	144	630-20 CT-248
12.7		18.5	23.5	34	32	78	185-12 CT-639	800	-	39	50.6	73	78	170	800BL CT-599
15		18.5	23.5	34	32	78	185-14 CT-800		21	39	50.6	73	78	170	800-20 CT-808
17		18.5	23.5	34	32	78	185-16 CT-243		1000	-	43	53.7	81	90	200
21		18.5	23.5	34	32	78	185-20 CT-704	21		43	53.7	81	90	200	1000-20 CT-809

